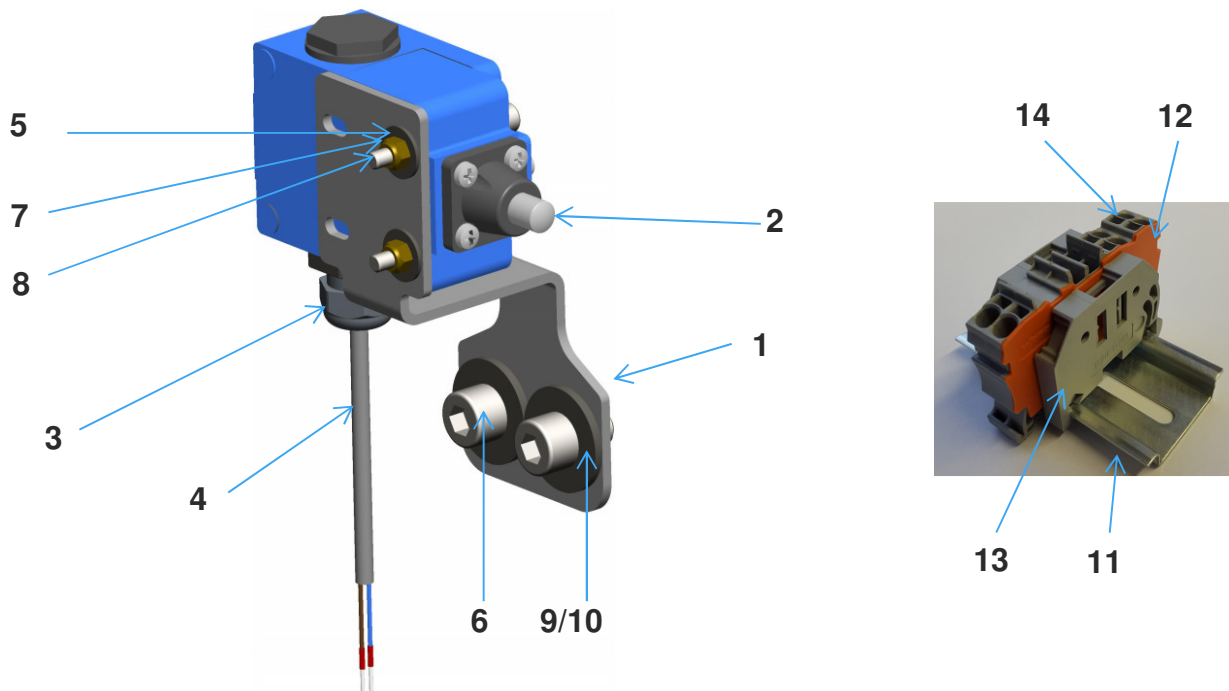


Assembly instruction Slack chain control SCC (SCC)

Components of the construction set

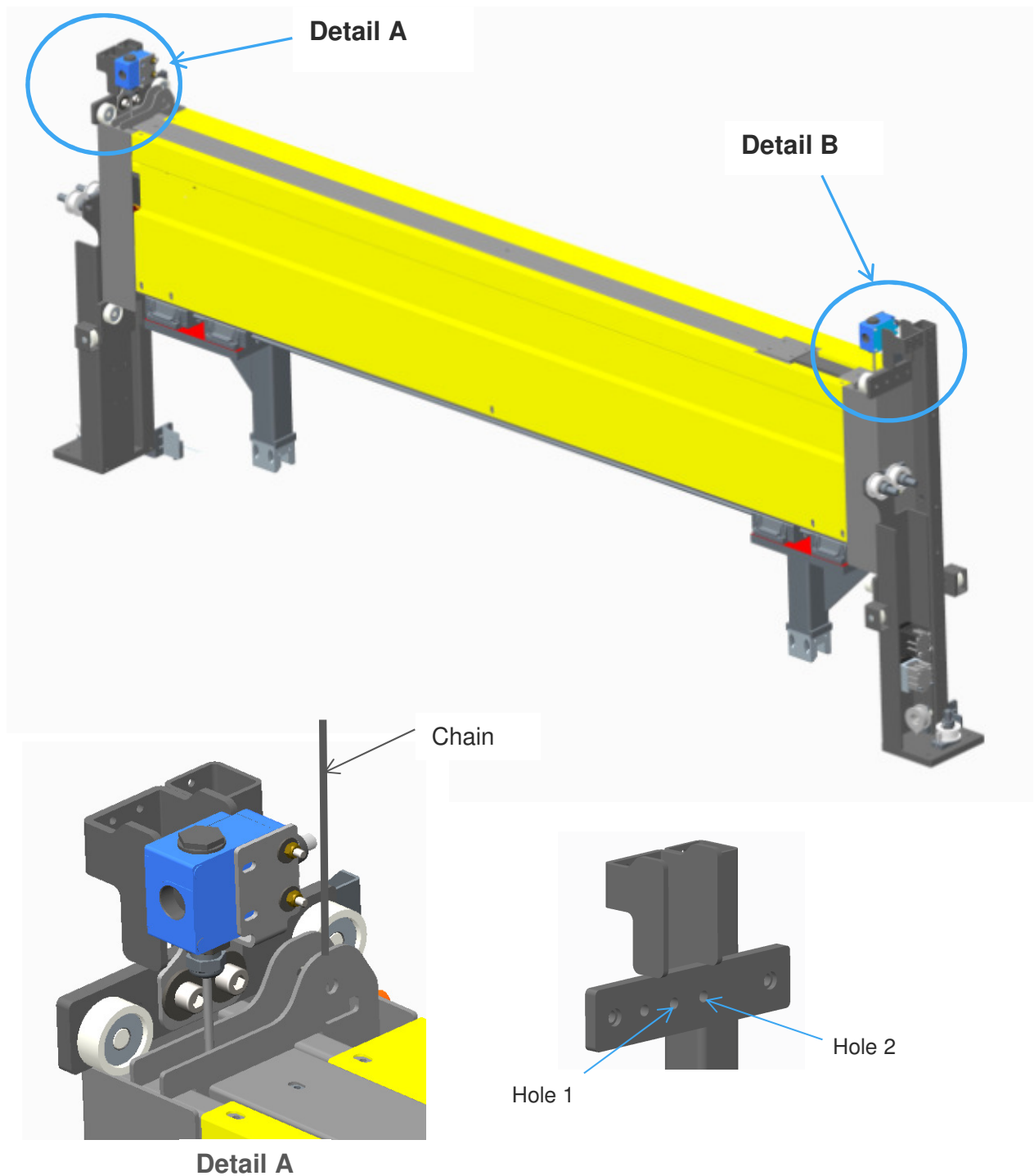
The assembly has the Number 1822.041.182. The SCC primarily consists of the following parts (in the picture are shown required parts for one switch – an installation consists two switches):



Retrofit Set Slack Chain Control 1822.041.182				
Pos.	No of parts per Installation	Part Nr.	Description	Note
1	2	1822.041.186	Holder	
2	2	1960.004.421	Position switch	
3	2	1960.000.548	Cable Gland	
4	2	1960.000.420	Cable 2 x 1mm ²	
5	4	1911.005.458	Cylinder head screw	M5 x 45
6	4	1911.010.168	Cylinder head screw	M10 x 16
7	4	1916.305.052	Lock nut	M5
8	4	1917.809.058	Washer	M5
9	4	1917.809.108	Washer	M10
10	2	1919.610.102	Lock washer	M10
11	1	1960.001.242	Wago Rail	70mm Lenght
12	1	1960.002.250	Conductor	2.5 mm ²
13	2	1960.002.254	Locking plate	2.5 mm ²
14	2	1960.002.290	Terminal fitting	6.5 mm ²

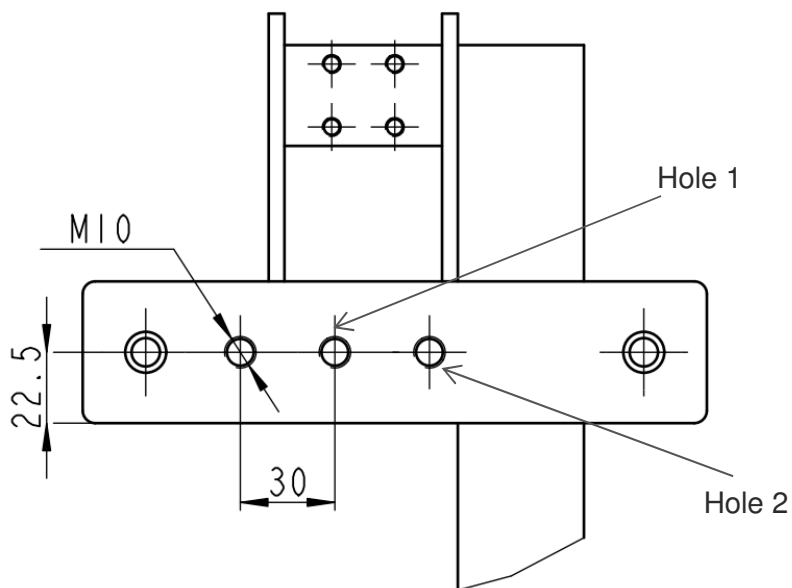
1. Assembly

The SCC is fitted on the carriage, once on each side for each carrier chain (see detail A + B). As such, 2 SCCs must be fitted



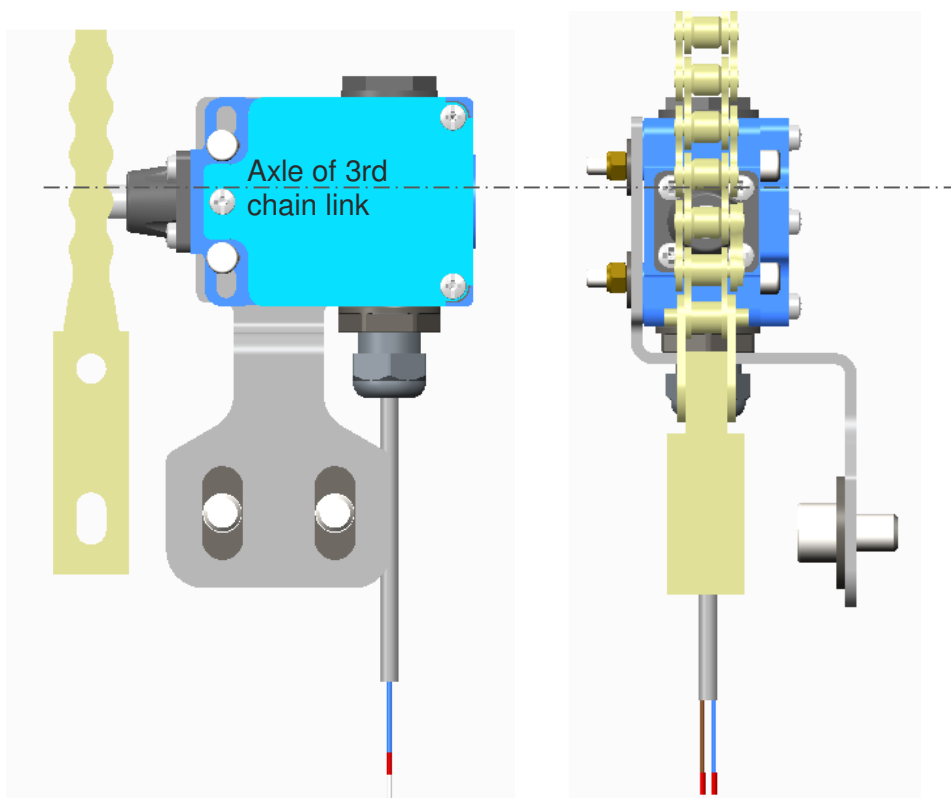
The SCC is screwed onto the inner side of the guide, i.e. on the same side as the guide rollers are fitted (see detail A). The holes closer to the vertical bar must be used (labelled on the diagram as holes 1+2). The screws to be used are specified in the parts list (Pos. 7.10 + 11).

The 3 x M10 are present as standard on new systems. On older systems hole no. 2 (threaded hole, M10) may be missing and needs to be drilled. The threaded hole goes all the way through the material with a distance of 30mm.



2. Aligning the sensor

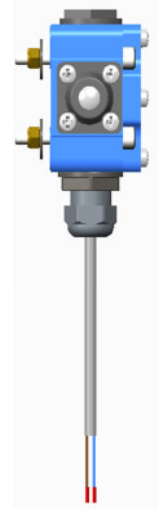
The switch must be aligned relative to the chain in order to guarantee that it functions correctly. It is important that the plunger of the switch is aligned to the 3rd chain link. The switch shall be placed in that position that the plunger is pushed in to the maximal stroke and be fixed secure in this position.



3. Laying the cable

The cable is mounted from the bottom of the switch. The cables for the two switches are connected to the corresponding positions on the switch and fastened.

Fastening the cables outside the carriage with cable ties is recommended in order to prevent the cable from becoming tangled with moving parts.



4. Cable junction

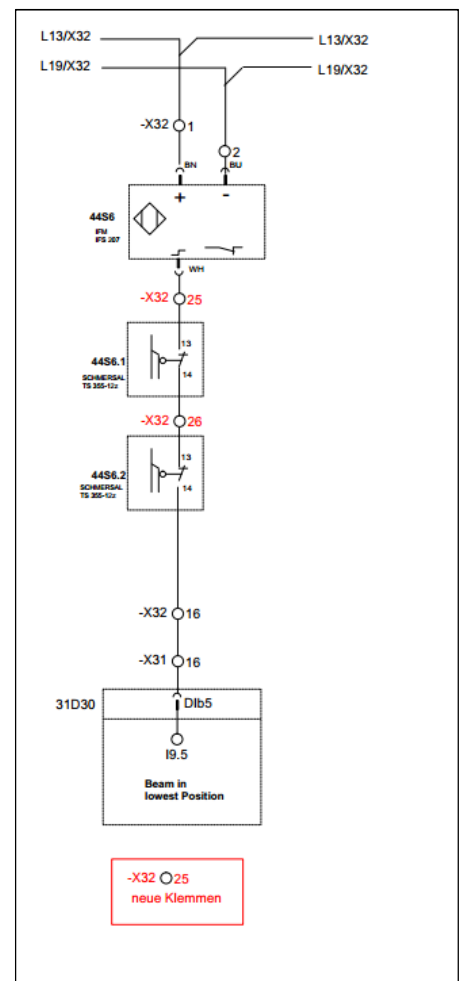
The delivered an preassemble cable has to be connected to the control according wiring diagram.

New are switches 44S6.1 and 44S6.2

The additional wiring diagram is delivered in a bigger format with the complete set.

Note

No software update is required.



Schema

5.3 Test:

If slack chain control (SCC) has been retrofitted then this function as a whole must be tested.

Process:

1. Place two pillar, pallets or similar underneath the carriage (see sketch below).
2. Lower the carriage slowly and carefully until it rests on the testing beams. The chain gets loos and the switch is actuating automatically.
3. It must not be possible to lower the beam further more (the lifting drive on the top of the Endra must not react)

If this is not the case, the installation of SCC must be reviewed and be tested again..

4. Raising the carriage.
5. Removing the supporting elements.

